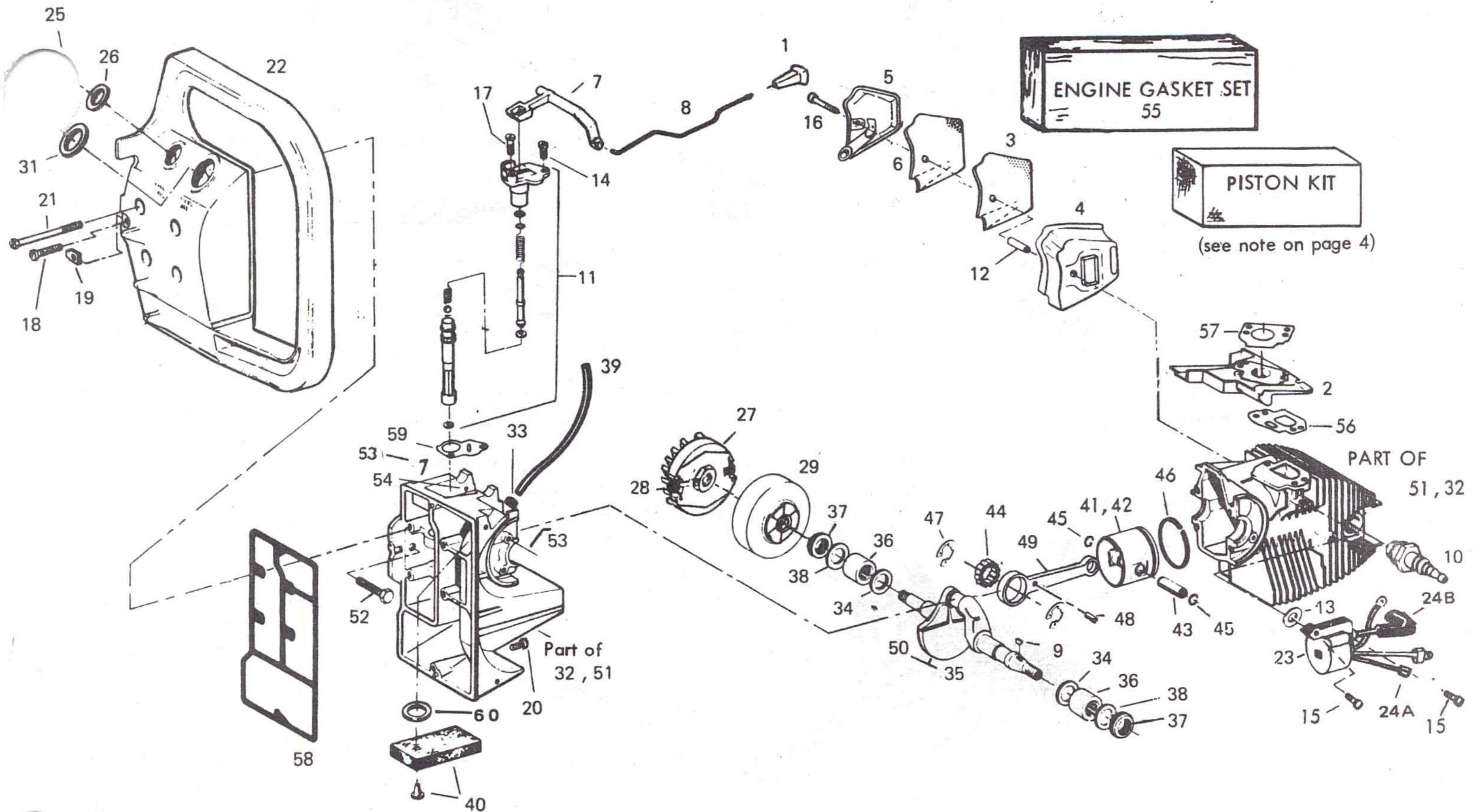


# 1614 & 1616 GASOLINE CHAINSAWS TYPE 3

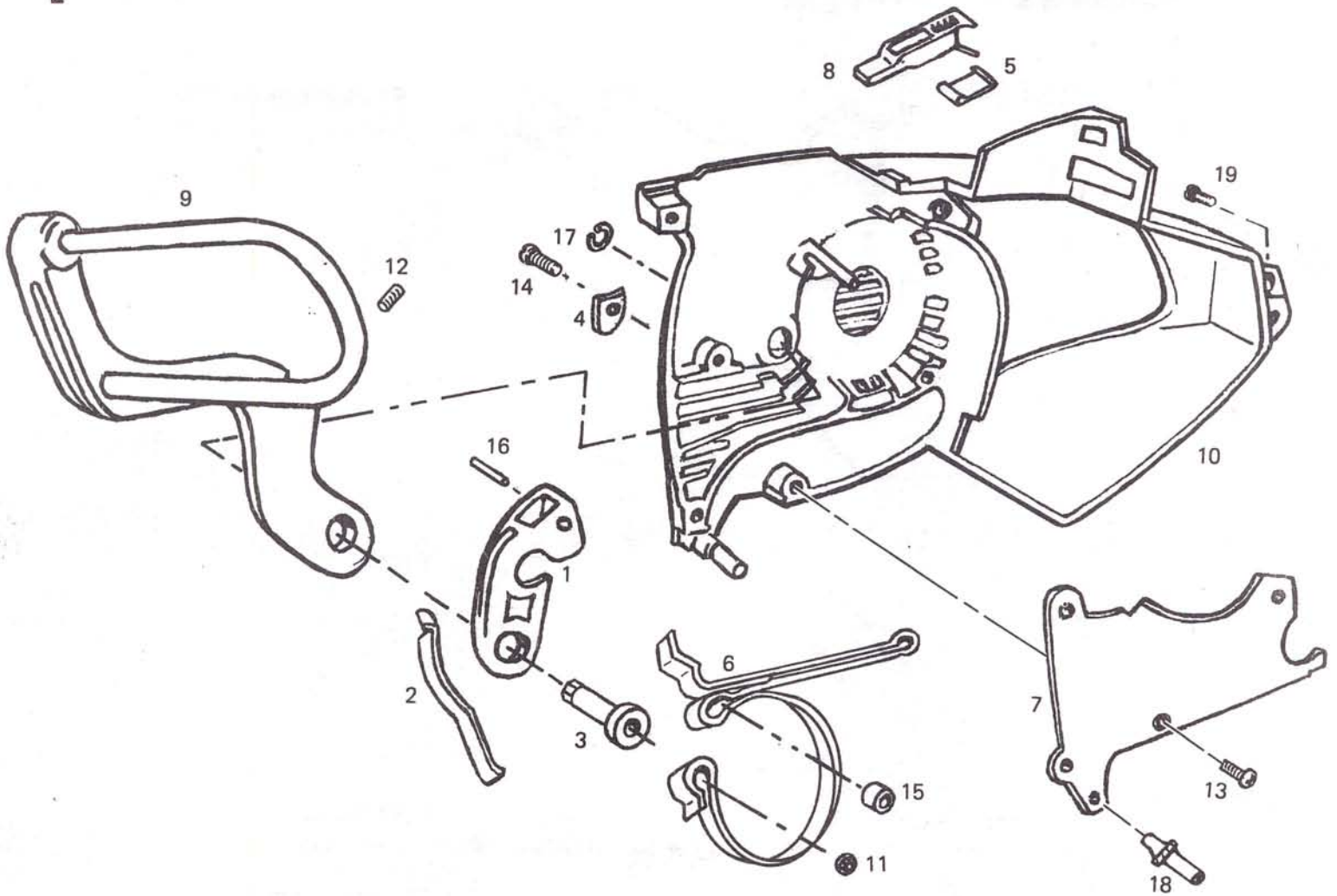


REF. NO.	PART NO.	PART NAME	REF. NO.	PART NO.	PART NAME
1	180190	Oiler Button	★ 32	312854	Short Block Assembly
2	180096	Insulator Block	33		177229 Grommet
3	317581	Muffler Baffle	34		180024 Thrust Washer (2)
4	317577	Muffler Body	35		312830 Crankshaft
5	317578	Muffler Cover	36		180030 Main Bearing (2)
6	71897	Spark Arrestor	37		180033 Bearing Seal (2)
7	312808	Cross Shaft	38		180166 Flat Washer (2)
8	312822	Push Rod	39		180206 Fuel Hose
9	180303	Key	40		180635 Fuel Filter Ass'y.
10	180523	Spark Plug—Champion DJ8	★ 41	312855	Conn. Rod, Piston & Crankshaft Ass'y. (see note on page 4)
11	180792	Oil Pump (see note on page 4)	42		312836 Piston
12	317583	Spacer	43		180017 Wrist Pin
13	317261	Washer (2)	44		312897 Roller Set (13 to the set)
14	720610	Screw	45		180047 Clip Wrist Pin (2)
15	317898	Screw (2)	46		180050 Ring Piston
16	727210	Screw	47		312837 Retainer Ring (2)
17	730810	Screw	48		312834 Roll Pin
18	732060	Screw	49		312832 Connecting Rod
19	180282	Bar Adjusting Nut	50		312830 Crankshaft (same as item 35)
20	736210	Screw	★ 51	313457	Crankcase & Cylinder Block Assembly
21	806010	Screw (4)	52		180013 Bar Bolt
22	312826	Tank & Handle	53		180015 Vent Wire (2)
★ 23	317699	C. D. Unit	54		43262 Duck Bill
24A		29679 Terminal	★ 55	180710	Engine Gasket Set
24B		317796 High Tension Lead	56		180097 Gasket
25	180638	Oil Filler Cap Ass'y.	57		180098 Gasket
26		180258 Gasket	58		313478 Gasket
★ 27	318143	Clutch Assembly	59		180252 Gasket
28		180373 Spring	60	180323	Washer
29	71956	Sprocket & Drum			
★ 30	317888	Fuel Filler Cap Ass'y.			
31		180186 Gasket			

## NOTES

★ Short Block Assembly No. 312854 Contains Items 33 thru 54.

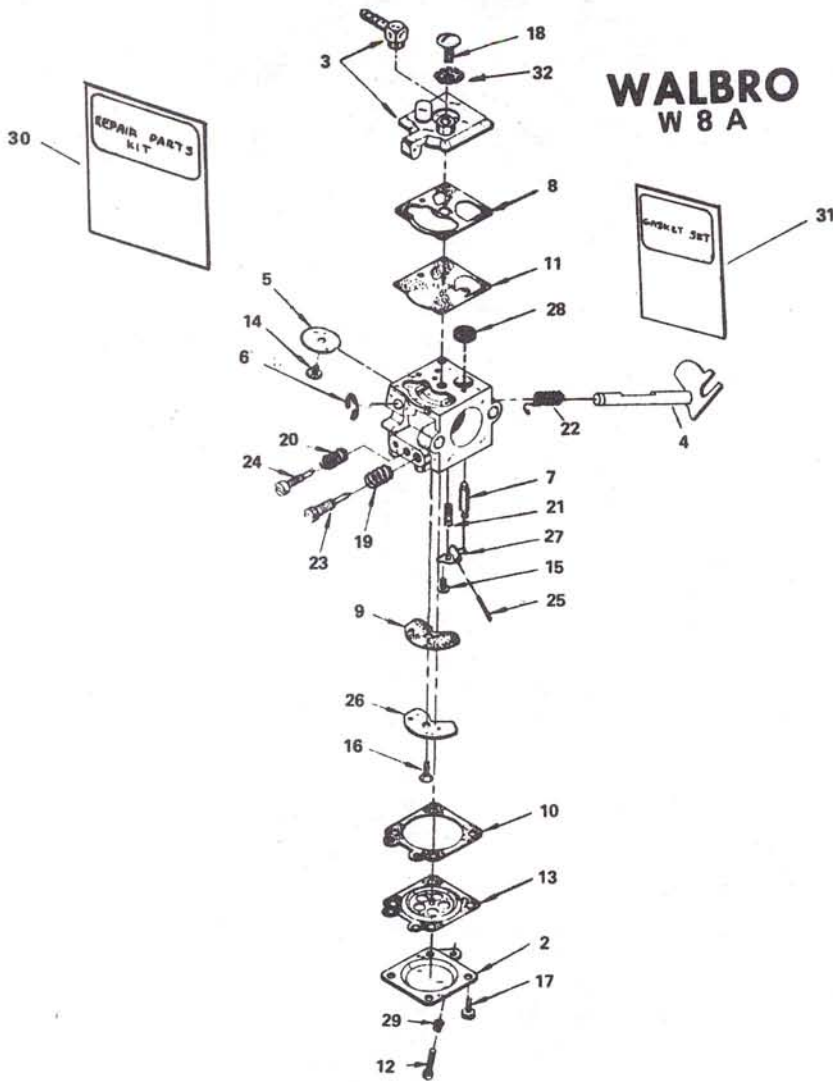
★ All indented parts included in assembly.



REF. NO.	PART NO.	PART NAME	REF. NO.	PART NO.	PART NAME
1	317550	Lever	11	317568	Nut
2	317551	Spring	* 12	317569	Set Screw
3	317552	Nut	13	314936	Screw (3)
4	317553	Cover Plate	14	314937	Screw
5	317554	Indicator	15	317572	Spacer
6	317556	Brake Spring	16	317573	Dowel Pin
7	317557	Exhaust Cover	17	317574	Snap Ring
8	317558	Guard Liner	18	318258	Chain Catcher
9	318257	Handguard	19	736210	Screw
10	317065	Chain Cover			

## NOTE:

\* 317634 Torque Seal used.

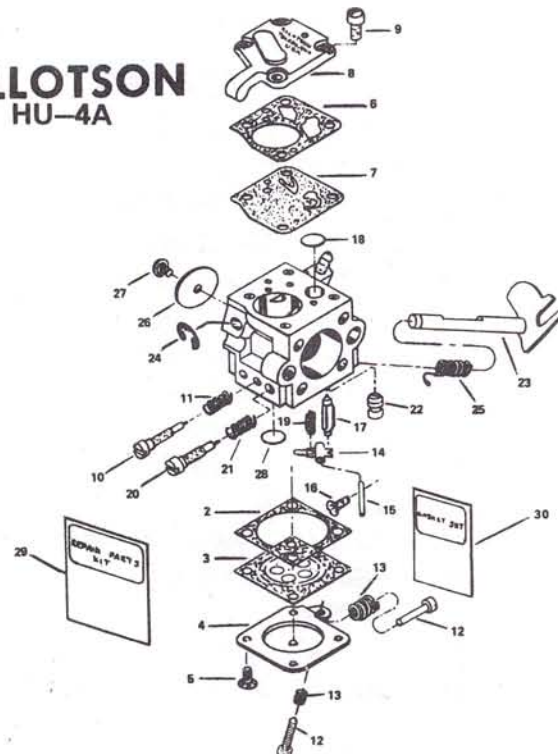


REF. NO.	PART NAME & NUMBER
1	Carburetor Assembly (180095)
2	Cover—Metering Diaphragm
3	Cover Assembly—Pump
4	Shaft Assembly—Throttle
5	Valve—Throttle
6	Clip—Throttle Shaft
7	▲ Valve—Inlet Needle
8	▲★ Gasket—Pump
9	▲★ Gasket—Circuit Plate
10	▲★ Gasket—Metering Diaphragm
11	▲★ Diaphragm—Pump
12	Idle Adj. Screw (313452)
13	▲★ Diaphragm Assembly—Metering
14	Screw—Shutter
15	Screw—Metering Lever Pin
16	Screw—Circuit Plate
17	Screw—Assembly
18	Screw—Pump Cover
19	▲ Spring—Main Adj.
20	▲ Spring—Idle Adj.
21	▲ Spring—Metering Lever
22	▲ Spring—Throttle Return
23	Needle—High Speed (313454)
24	Needle—Idle (313455)
25	Pin—Metering Lever
26	Plate—Circuit
27	▲ Lever—Metering
28	▲ Screen—Inlet
29	Spring (313453)
30	▲ Repair Parts Kit (313450)
31	★ Gasket Set (313451)
32	Washer—Lock

▲ Parts contained in Repair Parts Kit  
 ★ Parts contained in Gasket Set

REF. NO.	NAME	PART NO.
1	Carburetor Assembly	180095
2	Diaphragm Gasket	▲★
3	Diaphragm	▲
4	Diaphragm Cover	
5	Diaphragm Ret. Screw & Lockwasher	
6	Fuel Pump Gasket	▲★
7	Fuel Pump Diaphragm	▲
8	Fuel Pump Body	
9	Fuel Pump Body Ret. Screw & Lockwasher	
10	Idle Mixture Screw	180144
11	Idle Mixture Screw Spring	▲
12	Idle Speed Screw	▲
13	Idle Speed Screw Spring	▲
14	Inlet Control Lever	▲
15	Inlet Fulcrum Pin	▲
16	Inlet Fulcrum Pin Ret. Screw	▲
17	Inlet Needle	178151
18	Inlet Screen	▲
19	Inlet Tension Spring	▲
20	High Speed Mixture Screw	180122
21	High Speed Mixture Screw Spring	▲
22	Nozzle Check Valve	180123
23	Throttle Shaft and Lever	
24	Throttle Shaft Clip	
25	Throttle Return Spring	▲
26	Throttle Shutter	▲
27	Throttle Shutter Screw and Lockwasher	▲
28	Body Channel Welch Plug	▲
29	Repair Parts Kit	180777 ▲
30	Gasket Set	180778 ★

### TILLOTSON HU-4A



GUIDE BAR AND CHAIN REPLACEMENT

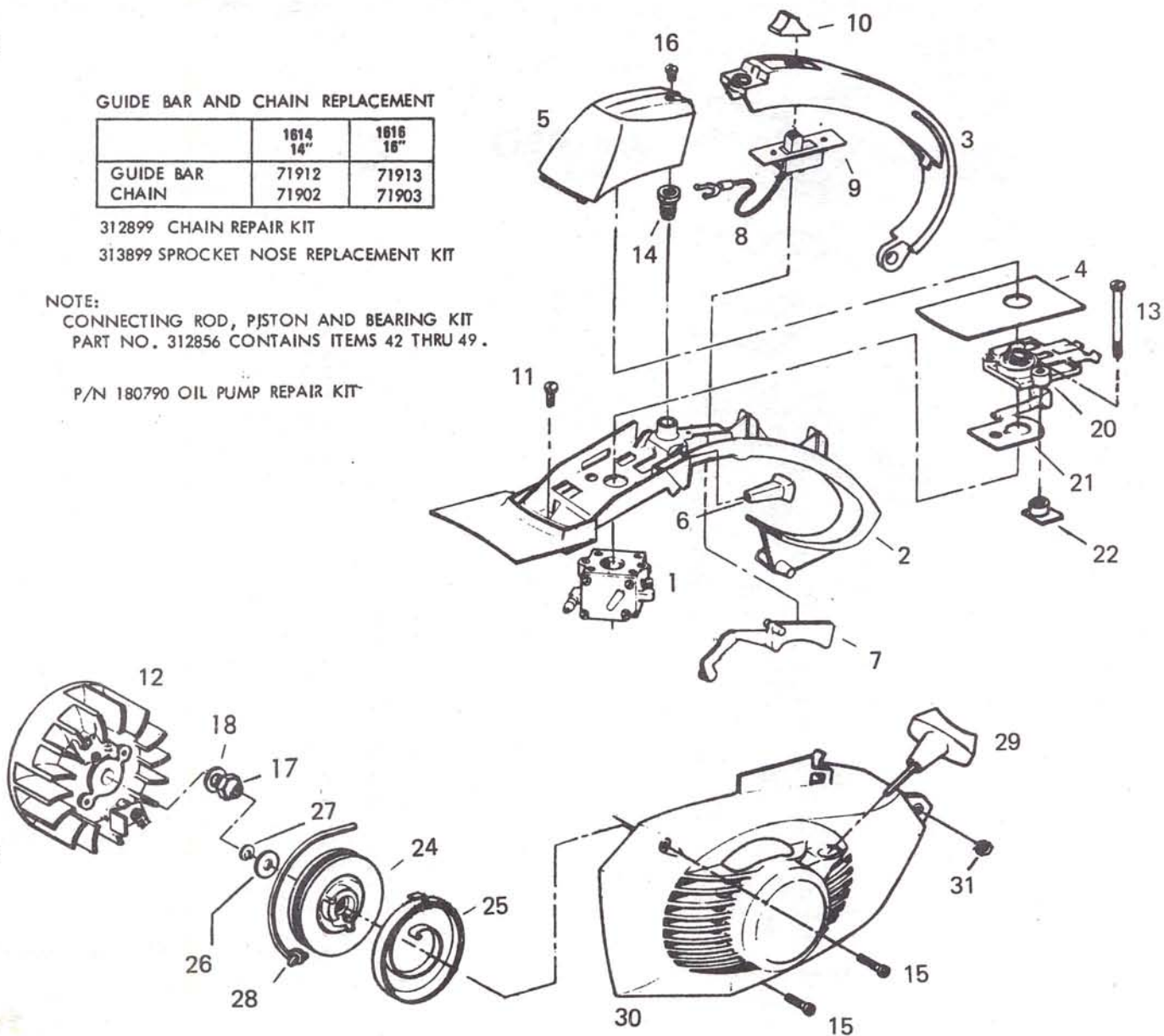
	1614 14"	1616 16"
GUIDE BAR	71912	71913
CHAIN	71902	71903

312899 CHAIN REPAIR KIT

313899 SPROCKET NOSE REPLACEMENT KIT

NOTE:  
CONNECTING ROD, PISTON AND BEARING KIT  
PART NO. 312856 CONTAINS ITEMS 42 THRU 49.

P/N 180790 OIL PUMP REPAIR KIT



REF. NO.	PART NO.	PART NAME
1	180095	Carburetor
2	312802	Rear Handle
3	312806	Handle Filler
4	180174	Air Cleaner
5	312821	Intake Cover
6	180190	Oiler Button
7	312807	Throttle Trigger
8	312825	Lead Wire
9	312823	Switch
10	312824	Toggle Cap.
11	312801	Screw
12	317683	Flywheel Assembly
13	728610	Screw (2)
14	312803	Insert
15	736410	Screw (2)
16	790660	Screw

REF. NO.	PART NO.	PART NAME
17	850365	Nut
18	23622	Washer
★19	300388	Choke Assembly
20		312804 Choke Holder
21		312805 Choke Slide
22		312800 Bushing (2)
★23	316772	Starter Assembly
24		180298 Pulley
25		315882 Rewind Spring
26		180323 Thrust Washer
27		180324 Retainer
28		318303 Starter Rope
29		180337 Starter Handle
30		316540 Housing
31		850210 Nut

★ All indented parts included in assembly.