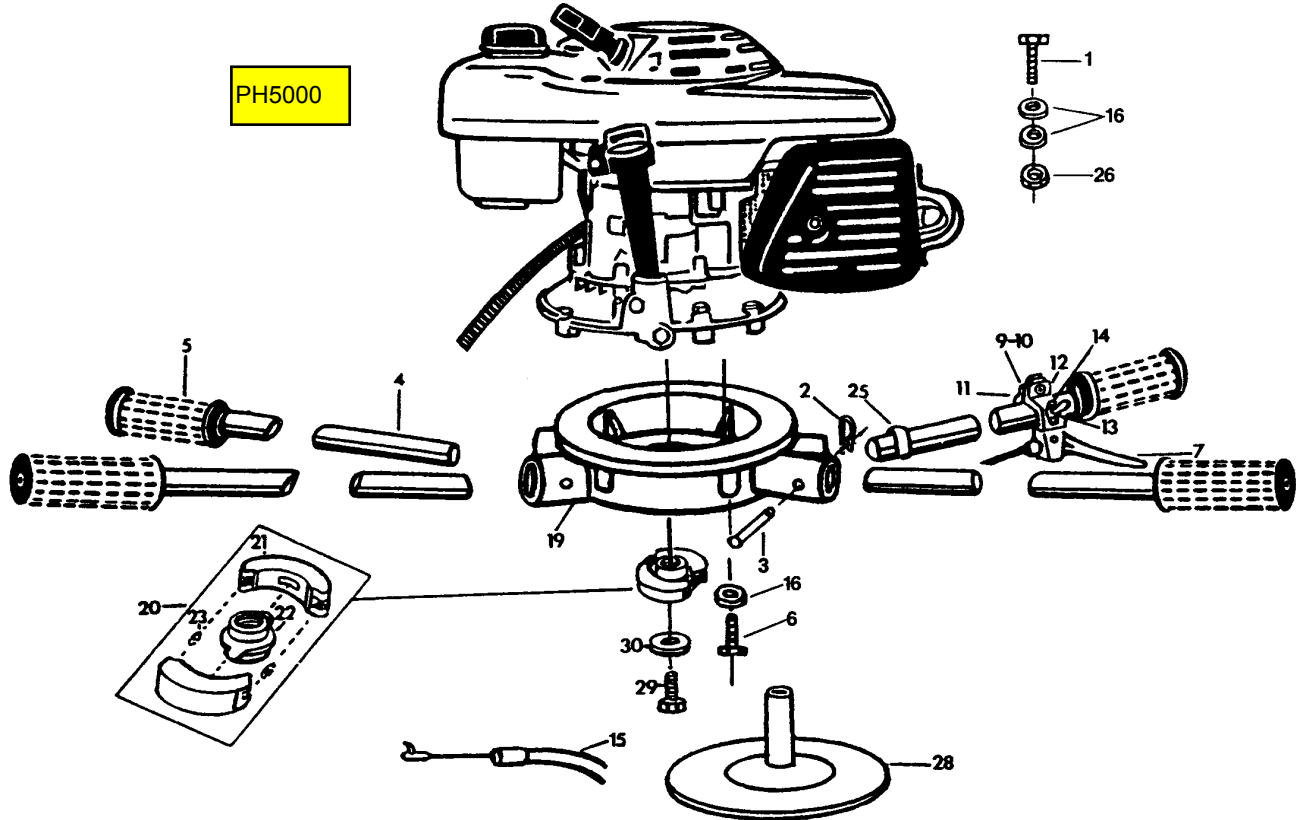


HANDLEBARS-THROTTLE-ON/OFF SWITCH-CLUTCH ASSEMBLIES



ITEM NO.	ORDER NO.	DESCRIPTION	QTY. REQ.
1	218447S	Bolt 5/16-18 x 2 3/4 GD5	1
2	10893S	Hairpin Cotter	4
3	217873S	Clevis Pin	4
4	203702S	Handlebar	4
5	203675S	Grip, Handlebar 7/8	4
6	215732S	Bolt 5/16-24 x 2 GD5	2
7	217864S	Lever, Throttle Control Assembly	1
8	209381S	Clamp, 7/8	1
9	205594S	Screw 10-32 x 3/4 Ph. Hd.	1
10	205595S	Nut 10-32	1
11	218695S	On/Off Switch w/Bracket, Includes 12-13-14	1
12	209303S	Bracket	1
13	205719S	Nut	1
14	205718S	Face Plate	1
15	217869S	Throttle Cable	1
16	200701S	Loc Washer	4
19	218659S	Mounting Plate	1
20	208119S	Clutch Assembly, Includes 21-22-23	1
21	204495S	Shoe	2
22	208120S	Hub	1
23	202296S	Spring, Yellow	2
24	217916S	Screw 5/16-18 x 1 1/2 Engine to Bracket	3
25	214206S	Tie Strap, 1"	2
26	200493H	Nut	1
28	217913S	Stand	1
29	217866S	Bolt 3/8 - 24 x 1	1
30	200702A	Lock Washer	1